

**PULL
DOWN
ENGINE**

START-R-UP



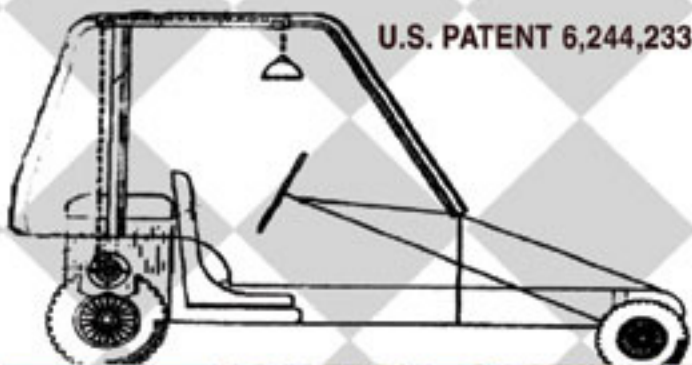
BRACKETS BRING THE STARTER HANDLE TO A SEATED GO-KART DRIVER

Lets you be seated and start your engine

**Will work on most Go-Karts with a brush guard
incl. Carter, Kartco, Ken-bar, Manco,
Murray, Yerf-Dog and others.**

Does not replace or impede normal use of the engine pull start handle

- Easy to pull
- One or two hands
- Kids can do it
- Adds safety
- Easy to add on
- Rugged construction
- May work on other small engine powered fun machines using a cage



**2 yr. warranty on the bracket assembly
1 yr. on rope
illustrated instructions inside**

START-R-UP CO.

2814 N. Volusia Ave.

Orange City, FL 32763

www.startup.com

gokartdave@gokartinfo.com